

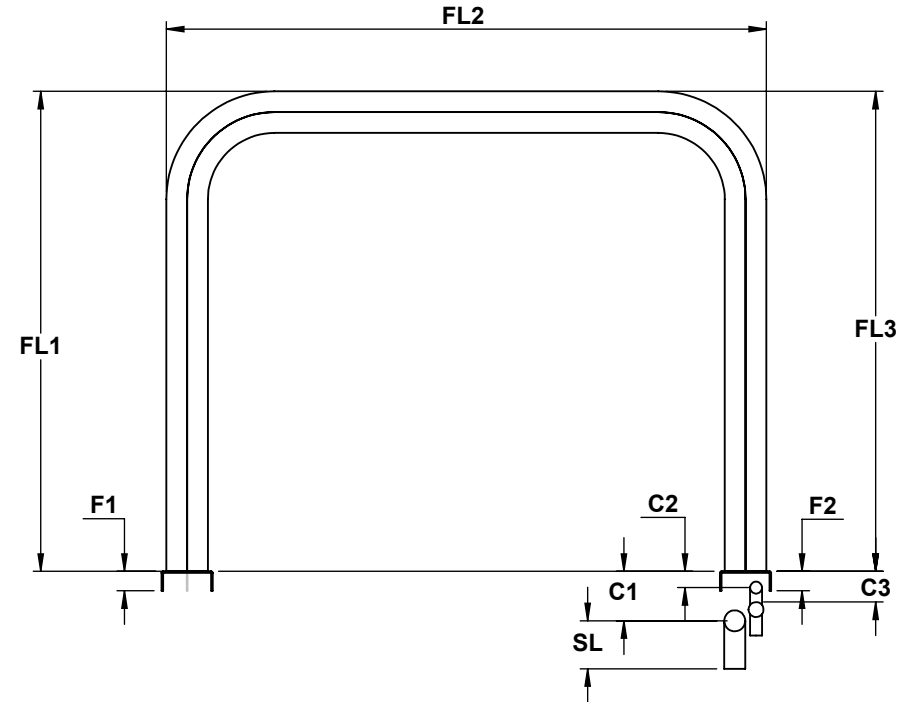
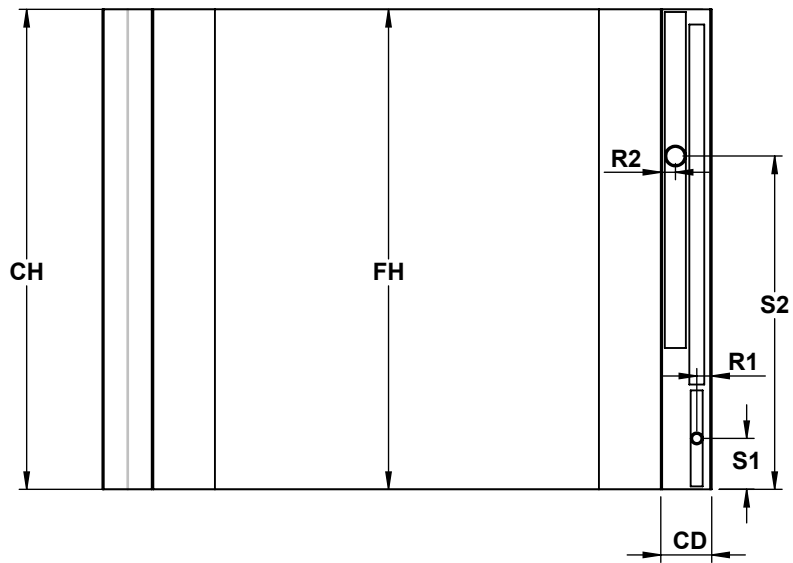


**AMERICAN COIL INC.**

1664 WEST 139TH STREET, GARDENA, CA 90249  
 TEL. (310) 515-1215 / FAX : (310) 515-2211

# CONDENSER U-SHAPE-LH

COMPANY :					PROJECT :			Qty:			DATE :		
FH	FL1	FL2	FL3	Rows	FPI	Tube Size	Circuits	Tube Material	Fin Material	Casing Material	Supply/Return manifold Size		Connections
											HG:		HG:
											LQ:		LQ:



CH	CD	S1	S2	R1	R2	C1	C2	C3	F1	F2	SL	NOTE:

## SPECIFICATION SHEET